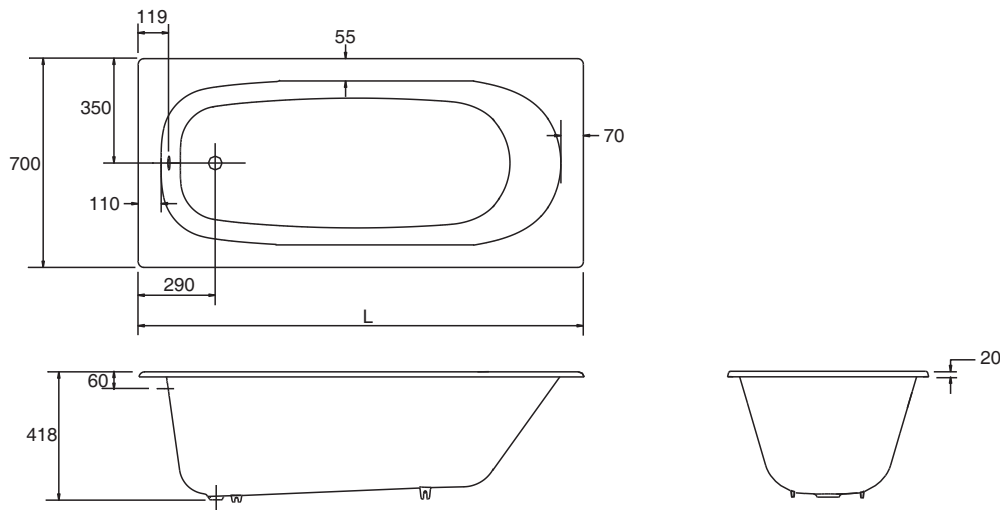


K-941T/K-941T-GR/P941T-Z/P941T-ZGR/P941T/P941T-GR/P941T-WGR  
 K-943T/K-943T-GR/P943T-Z/P943T-ZGR/P943T/P943T-GR/P943T-WGR  
 K-940T/K-940T-GR/P940T-Z/P940T-ZGR/P940T/P940T-GR/P940T-WGR

### ROUGHING-IN 产品尺寸图 (Unit:mm) (单位:毫米)



### PRODUCT INFORMATION 产品信息

	K-941T/K-941T-GR/P941T-Z P941T-ZGR/P941T P941T-GR/P941T-WGR	K-943T/K-943T-GR/P943T-Z P943T-ZGR/P943T P943T-GR/P943T-WGR	K-940T/K-940T-GR/P940T-Z P940T-ZGR/P940T P940T-GR/P940T-WGR
Length 长度	1500mm (毫米)	1600mm (毫米)	1700mm (毫米)
Capacity 水容量 (To Overflow Hole Bottom 至溢水口底部)	141L (升)	145L (升)	158L (升)

### Cut-out Dimensions 切割图尺寸

K-941T/K-941T-GR/P941T-Z/P941T-ZGR/P941T/P941T-GR/P941T-WGR .....1462mm × 662mm  
 K-943T/K-943T-GR/P943T-Z/P943T-ZGR/P943T/P943T-GR/P943T-WGR .....1562mm × 662mm  
 K-940T/K-940T-GR/P940T-Z/P940T-ZGR/P940T/P940T-GR/P940T-WGR .....1662mm × 662mm

### Optional Accessory Information 可选配件信息

Drain 排水.....K-17295T-CP  
 Grip Rail 扶手 .....K-8599T-CP  
 (For K-941T-GR/P941T-GR/K-943T-GR/P943T-GR/K-940T-GR/P940T-GR)  
 (适用于K-941T-GR/P941T-GR/K-943T-GR/P943T-GR/K-940T-GR/P940T-GR)  
 Adjustable Feet 可调节支撑脚.....K-18416T-NA